

**(813) 659-1718**

3206 Sydney Rd - Plant City FL

**CHOO CHOO LAWN EQUIPMENT**

*Rentals - Parts - Service - Sales*

*Cub Cadet*

**GRAVELY**

**Husqvarna**

**HONDA**  
Power  
Equipment



**STIHL**  
KOHLER  
ENGINES



**[www.CHOOCHOOPARTS.com](http://www.CHOOCHOOPARTS.com)**



# HYDRO TRACTOR

## Parts Manual

---

**Models**  
936055 54" Hydro Tractor



GB ENGLISH

441106 Rev. 1 (21547673) 02.04.11  
Printed in the U.S.A.

# HOW TO USE THIS MANUAL

This manual is designed to provide the customer with a means to identify the parts on his/her tractor when ordering repair parts. The illustrations may or may not represent the actual assemblies; therefore, it is not recommended to use this manual as a guide to assemble or disassemble the tractor. Some hardware and parts are drawn larger in order to more readily identify them.

Each tractor has its own model number.

The model number for your tractor can be found on the fender under the seat.

When ordering parts, always give the following information:

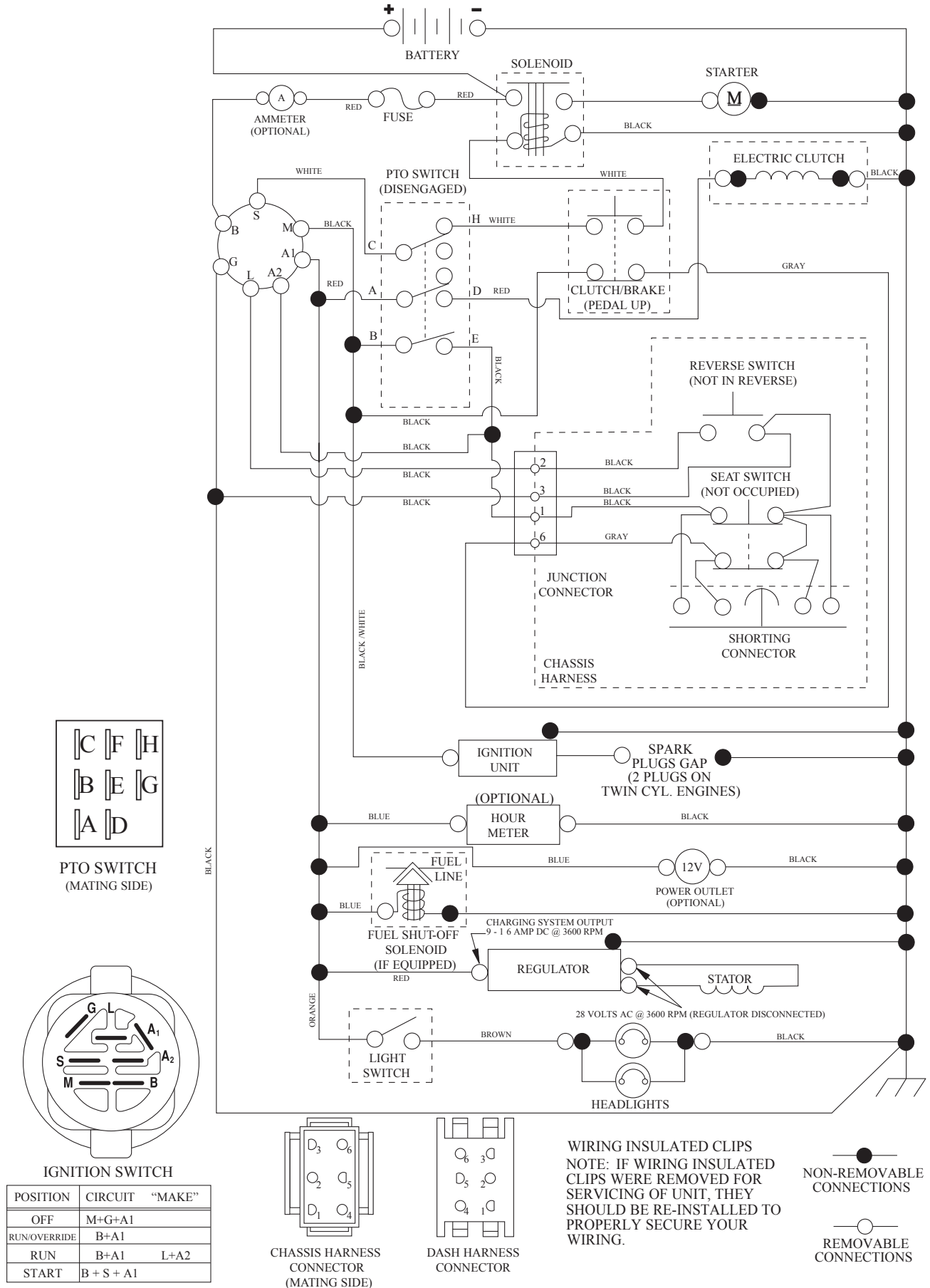
- Product - "Tractor"
- MODEL NUMBER - "936055 (96046002800)"
- Part Number
- Part Description

## TABLE OF CONTENTS

SCHEMATIC .....	3
ELECTRICAL.....	4-5
CHASSIS .....	6-7
DRIVE.....	8-9
ENGINE.....	10-11
STEERING .....	12-13
MOWER DECK .....	14-15
MOWER LIFT.....	16-17
SEAT .....	18-19
DECALS.....	20-21
PARTS AND SERVICE.....	BACK COVER

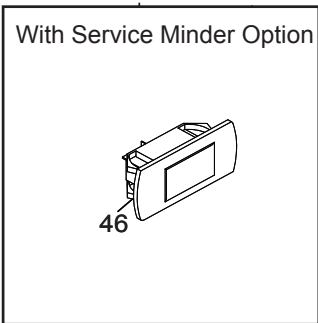
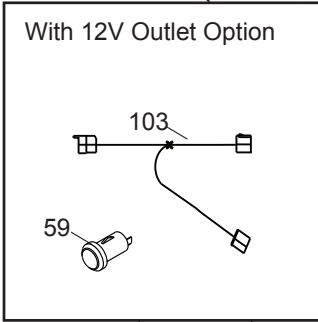
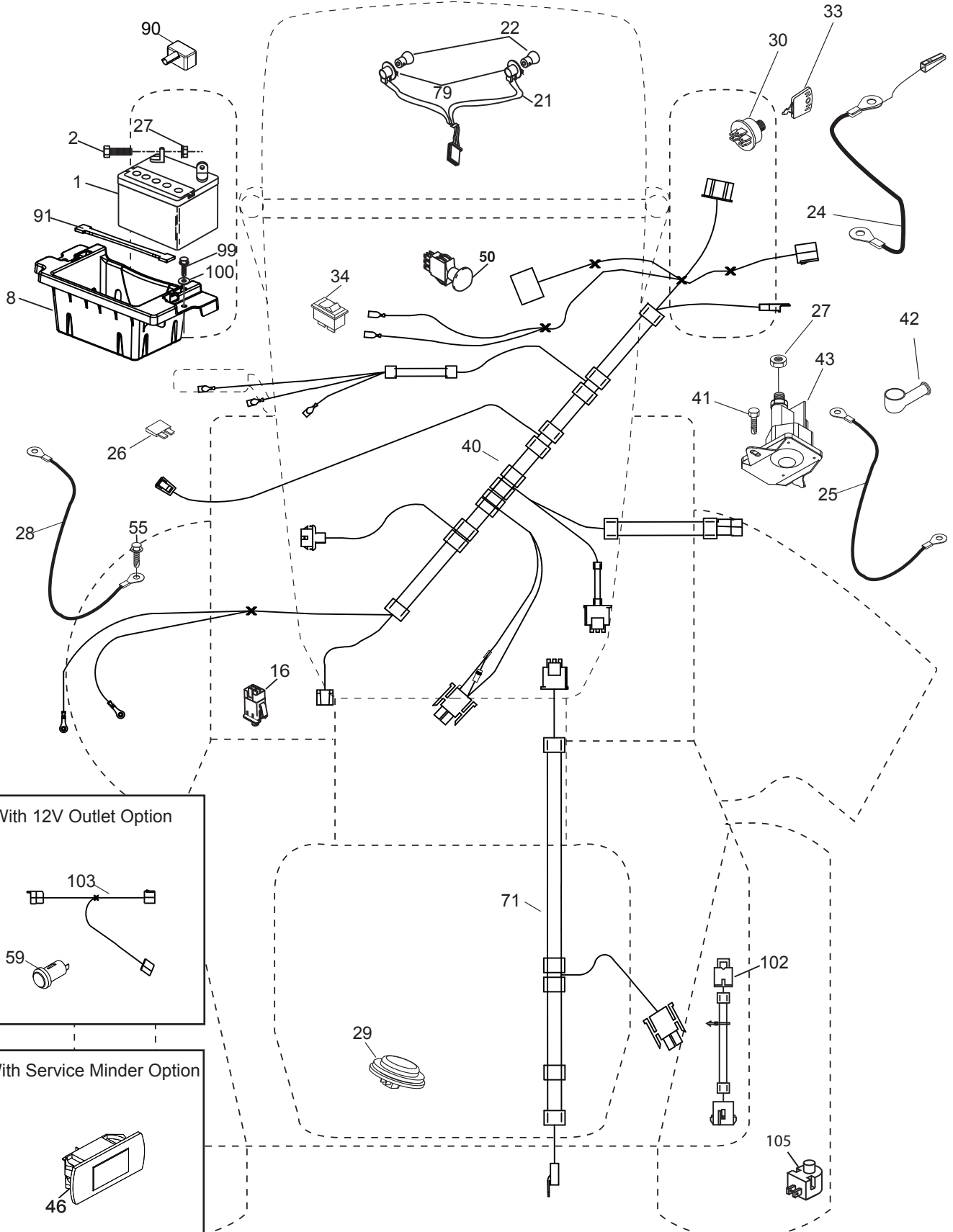
# TRACTOR - - MODEL NO. 93605500 (96046002800), PRODUCT NO. 960 46 00-28 SCHEMATIC

SCH12



**TRACTOR - - MODEL NO. 93605500 (96046002800), PRODUCT NO. 960 46 00-28  
ELECTRICAL**

T11S

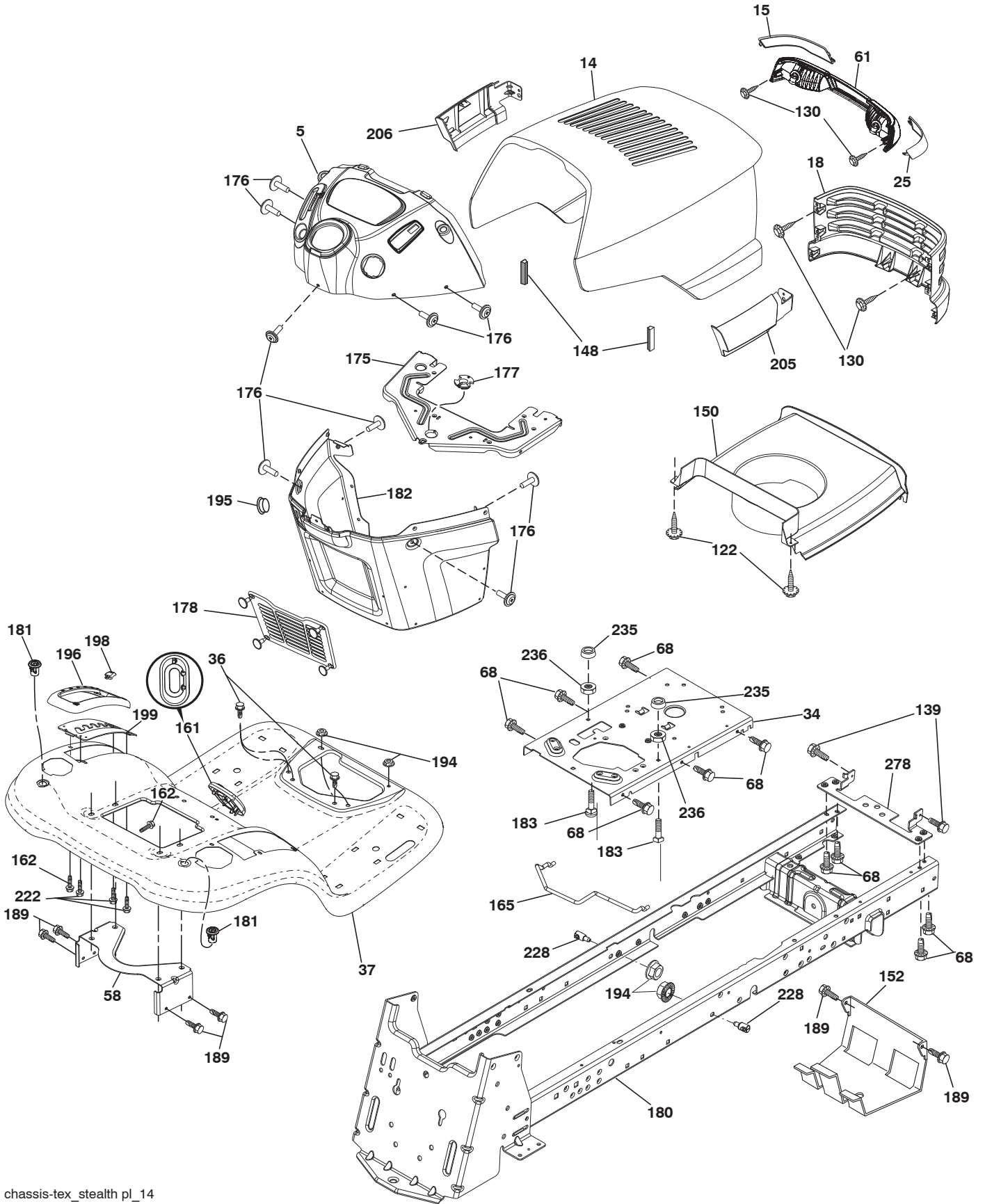


**TRACTOR - - MODEL NO. 93605500 (96046002800), PRODUCT NO. 960 46 00-28  
ELECTRICAL**

<b>ITEM NO.</b>	<b>MFG. NO.</b>	<b>ARIENS PART NO.</b>	<b>DESCRIPTION</b>
1	532 16 34-65	21546162	BATTERY.12.VOLT.28.AMP.WET
2	874 76 04-12	21546803	BOLT HEX HD 1/4-20 UNC X 3/4
8	532 18 64-91	21546233	BOX.BATTERY.MOUNT.FRONT.LT
16	532 17 61-38	21546205	SWITCH.INTERLOCK.NONO.GRAY
21	532 17 56-88	21546226	HARNES.ASM.LIGHT. (4152J)
22	532 00 41-52	21546673	BULB.LIGHT.#1156
24	532 40 02-53	21546556	CABLE.BTRY.PSWRE.DSH SOL.8"TEX
25	532 41 28-95	21547566	CABLE STARTER 6 G4. BL/RED14.5
26	532 17 51-58	21546200	FUSE.20 AMP.
27	873 51 04-00	21546779	NUT, KEPS HEX 1/4-20 UNC
28	532 14 54-91	21546112	CABLE.GROUND.21"BLK.6 GA.90T
29	532 40 15-45	21546574	SWITCH.SEAT.DELTA.OPC.9LB.
30	532 19 33-50	21546319	SWITCH.IGN.DLTA.P-IN.ROS
33	532 41 19-33	21547339	KEY/CHAIN.BLISTER PACK.GEN.USA
34	532 11 07-12	21546050	SWITCH.LIGHT/RESET.B/B/RED
40	532 40 11-04	21546569	HARNES IGN ELEC RELAY
41	817 72 04-08	21546210	SCREW 1/4-20 X 1/2
42	532 13 15-63	21546082	COVER.TERMINAL.RED
43	532 19 25-07	21546294	SOLENOID.W/BRASS PLUNGER.2005
46	532 40 17-63	21547327	GUAGE.HOURMETER
50	532 17 46-51	21546196	SWITCH PTO
55	817 06 05-12	21546187	SCREW.5/16-18X3/4.SMGML.TAP/R
71	532 19 42-76	21546323	HARNES.IGN.CHASSIS.TEX
79	532 17 52-42	21546201	SOCKET ASM.BULB.TWISTLOCK
90	532 43 53-95	21547570	COVER TERMINAL BATTERY FR. TEX
91	532 19 02-70	21546274	STRAPBATTERY.MOUNT.FRONT
99	817 67 04-12	21546207	SCREW.HEXWSH.THDROL.1/4-20 X 3/4
100	819 09 14-16	21546277	WASHER.9/32 X 7/8 X 16GA.
102	532 40 44-54	21546594	HARNES PIGTAIL
105	532 40 75-68	21546625	SWITCH REVERSE

**NOTE:** All component dimensions given in U.S. inches  
1 inch = 25.4 mm

**TRACTOR - - MODEL NO. 93605500 (96046002800), PRODUCT NO. 960 46 00-28  
CHASSIS**



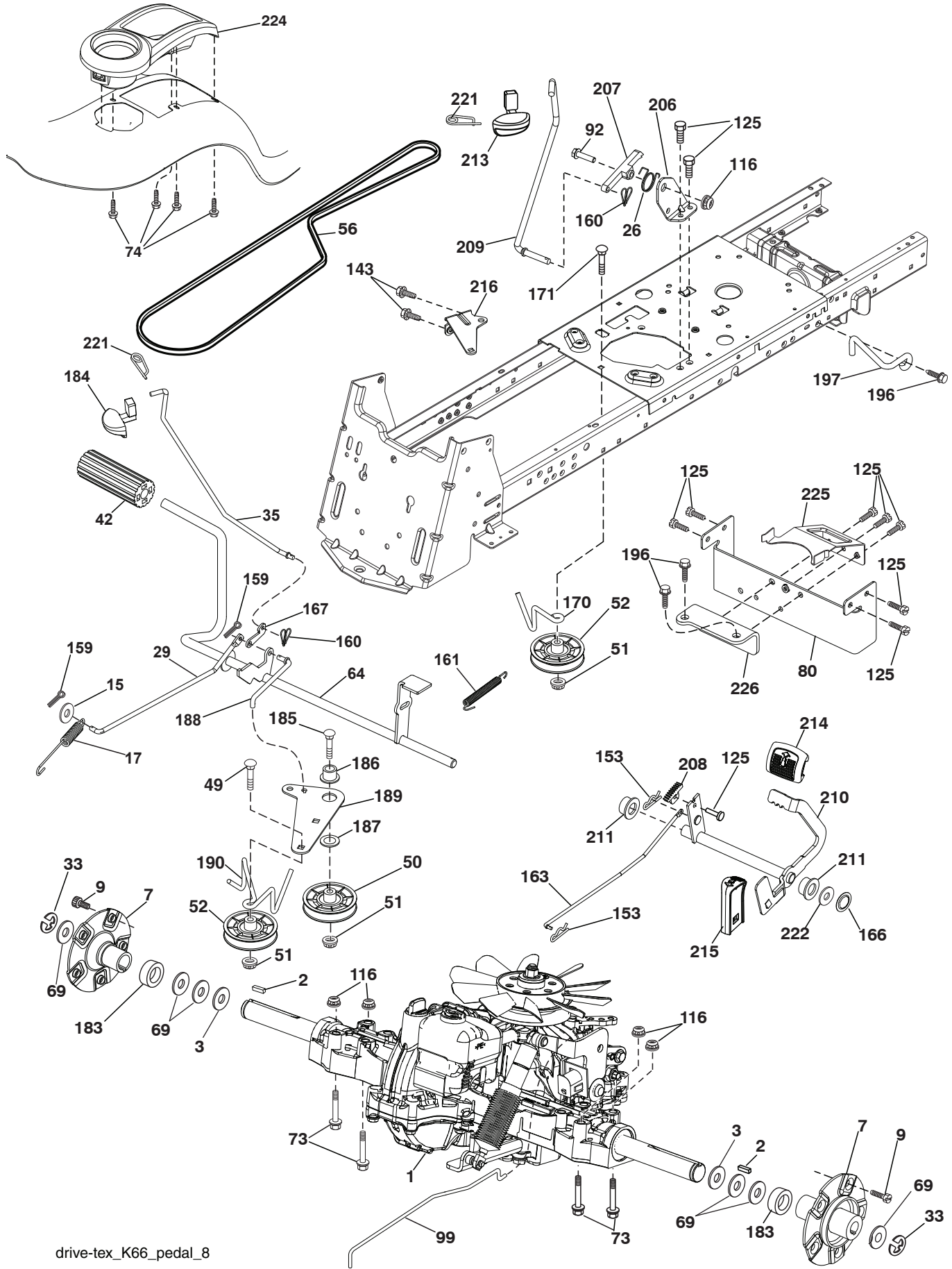
**TRACTOR - - MODEL NO. 93605500 (96046002800), PRODUCT NO. 960 46 00-28  
CHASSIS**

<b>ITEM NO.</b>	<b>MFG. NO.</b>	<b>ARIENS PART NO.</b>	<b>DESCRIPTION</b>
5	532 41 14-10	21547776	DASH
14	532 44 18-22	21547739	HOOD
15	532 16 18-41	21547543	LENS ELITE ARIENS BLACK
18	532 18 71-14	21547703	GRILLE
25	532 16 18-42	21547544	LENS ELITE HUSQ CLEAR RH
34	532 19 61-25	21546384	PLATE ENGINE
36	817 06 05-12	21546187	SCREW 5/16-18 X 3/4
37	532 44 12-85	21547783	FENDER
58	532 19 43-14	21547310	FENDER SUPPORT BRACKET
61	532 43 92-58	21547530	ASM LIGHT BOX
68	817 49 05-08	21546199	SCREW THDROL 5/16-18 X 1/2
122	532 19 25-12	21547529	SCREW 10-32 X 5/8
130	532 41 63-58	21546675	SCREW #10 X 0.750 BOS THREAD
148	532 16 46-55	21547545	BUMPER HOOD LARGE 1.75
139	532 17 18-73	21547301	BOLT SHOULDER 5/16-18
150	532 19 03-09	21547802	DUCT AIR ENGINE
152	532 19 95-35	21546501	SHIELD BROWNING/DEBRIS
161	532 41 18-79	21547778	CONSOLE FUEL WINDOW
162	532 14 24-32	21546106	SCREW HEX WSH HI-LO 1/4 X 1/2 UNC
165	532 19 68-26	21546413	SUPPORT TANK REAR
175	532 19 32-36	21547554	CROSSMEMBER LT
176	532 40 07-76	21546562	SCREW 10-24 X 5/8 WSHD QDRX
177	532 19 52-27	21546356	BUSHING STEERING
178	532 19 56-51	21547531	CARGO ASM NET
180	532 19 54-77	21547315	CHASSIS
181	532 40 47-96	21547557	BUSHING.MNT.FEND.CRGO.BLK.TEX
182	532 19 25-51	21547553	DASH LOWER LT CCS
183	874 52 05-20	21547383	BOLT.FIN.HEX.5/16-18 UNC X1-1/4
189	817 00 05-12	21546180	SCREW 5/16-18 X 3/4
194	873 90 05-00	21546789	NUT LOCK HEX FLANGE 5/16-18
195	532 40 41-37	21547532	PLUG HOLE DASH LOWER
196	532 41 18-78	21547777	CONSOLE ASM. DECK LIFT
198	532 44 15-52	21547784	INDICATOR DECK LIFT
199	532 19 63-77	21547316	PLATE DECK LIFT
205	532 18 71-11	21547701	SKIRT SIDE RH
206	532 18 71-12	21547702	SKIRT SIDE LH
222	532 13 77-29	21546091	SCREW THD. ROLL 1/4-20 X 5/8
228	532 19 51-61	21546343	STUD FASTENER
235	532 40 61-29	21546619	SPACER FENDER
236	873 93 05-00	21546793	NUT CENTER LOCK 5/16-18 UNC
278	532 19 63-94	21547317	X-PIECE HOOD
--	532 42 39-21	21546721	KIT BUMPER

**NOTE:** All component dimensions given in U.S. inches  
1 inch = 25.4 mm



TRACTOR - - MODEL NO. 93605500 (96046002800), PRODUCT NO. 960 46 00-28  
DRIVE

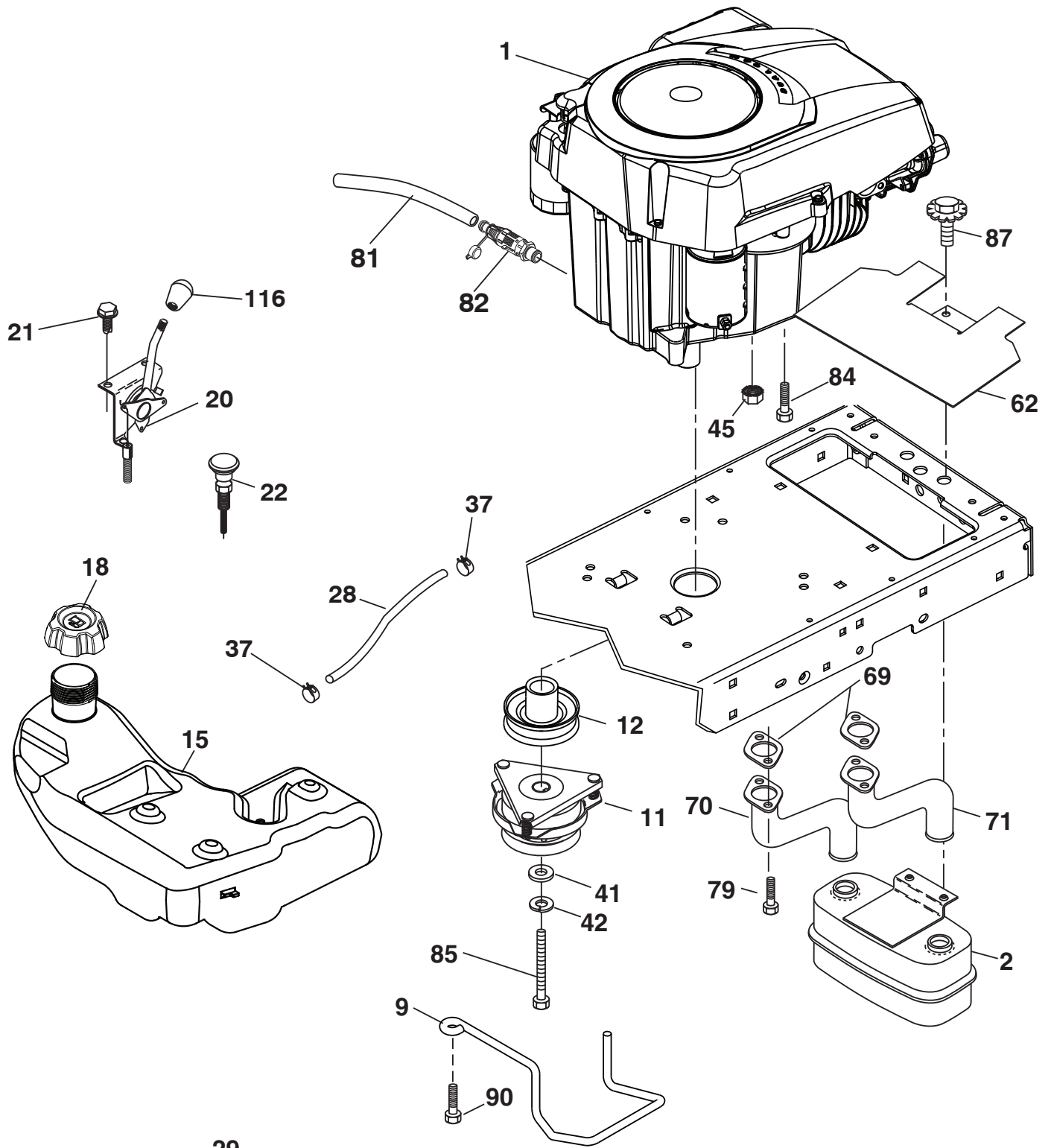


drive-tex\_K66\_pedal\_8

**TRACTOR - - MODEL NO. 93605500 (96046002800), PRODUCT NO. 960 46 00-28  
DRIVE**

ITEM NO.	MFG. NO.	ARIENS PART NO.	DESCRIPTION
1	-----	-----	TRANSAXLE, TUFFTORQ K66Y
2	532 00 70-70	21547403	KEY 1/4 X 2.5
3	532 00 75-63	21547404	WASHER THRUST AXLE HARDENED
7	532 19 98-37	21547324	HUB ASM. WHEEL
9	532 14 00-80	21547293	BOLT HUB WHEEL
15	819 13 13-16	21546284	WASHER 13/32 X 13/16 X 16 GA.
17	532 40 10-72	21547326	SPRING, BRAKE
26	532 19 96-79	21546508	SPRING RETURN CRUISE
29	532 40 72-45	21547448	ROD, BRAKE
33	812 00 00-53	21547379	RING E
35	532 19 72-75	21547556	ROD BRAKE PARKING LT TEX
42	532 00 88-83	21546831	COVER, FOOT PEDAL
49	872 11 06-14	21546766	BOLT
50	532 19 43-27	21546331	PULLEY IDLER FLAT
51	873 90 06-00	21546790	LOCK NUT 3/8-16
52	532 19 43-26	21546330	IDLER V-GROOVE 910" OFFSET
56	532 12 59-07	21546076	V-BELT, DRIVE
64	532 19 78-65	21546465	SHAFT ASM. PEDAL BRAKE CONTROL
69	532 12 38-00	21547391	WASHER 1-1/32 X 1-5/8 X 16 GA.
73	874 49 05-44	21546798	BOLT HEX 5/16-18 GR. 5
74	532 14 24-32	21546106	SCREW 1/4 X 1/2
80	532 40 71-82	21547333	STRAP TORQUE
92	874 76 05-20	21546806	BOLT 5/16-18 X 1/2
99	532 41 57-44	21547346	ROD BYPASS
116	873 90 05-00	21546789	NUT LOCK HEX FLANGE 5/16-18
125	817 00 05-12	21546180	SCREW 5/16-18 X 3/4
143	817 49 05-08	21546199	SCREW 5/16-18 X 1/2
153	532 12 47-88	21547536	RETAINER.SPRING
159	876 02 04-12	21546820	PIN COTTER 1/8 X 3/4
160	532 16 94-84	21546178	RETAINER CLIP
161	532 10 57-09	21546028	SPRING, RETURN, CLUTCH
163	532 40 72-46	21547334	ROD PEDAL CONTROL
166	532 42 91-64	21547349	NUT PUSH .625
167	532 40 52-57	21546608	LATCH BRAKE PARKING
170	532 19 43-22	21547311	KEEPER BELT CENTERSPAN
171	872 11 06-16	21546767	BOLT
183	532 19 73-57	21547319	SPACER AXLE
184	532 44 16-36	21547738	HANDLE PARKING BRAKE LT TEX 667
185	872 11 06-22	21546768	BOLT RDHD SQNK 3/8-16 X 2-3/4
186	532 19 43-21	21546328	SPACER RETAINER
187	819 13 32-10	21546287	WASHER
188	532 19 43-23	21546329	LINK CLUTCH GROUND DRIVE
189	532 19 43-17	21546324	BELLCRANK GROUND DRIVE
190	532 19 43-18	21546325	KEEPER BELLCRANK GROUND DRIVE
196	817 00 06-16	21546182	SCREW 3/8-16 X 1
197	532 19 97-69	21547322	BRACKET CLUTCH ANTI-ROTATION
206	532 19 78-67	21546467	BRACKET MOUNT LATCH CRUISE
207	532 19 78-68	21546469	LATCH CONTROL CRUISE
208	532 19 78-69	21546470	GEAR SECTOR CONTROL CRUISE
209	532 19 94-66	21547662	ROD CONTROL CRUISE
210	532 19 78-60	21547320	ROCKER ASM. PEDAL CONTROL
211	532 12 01-83	21546061	BEARING NYLON
213	532 41 23-24	21547717	KNOB CONTROL CRUISE
214	532 42 12-63	21547005	PEDAL FORWARD
215	532 40 17-23	21547707	PEDAL REVERSE
216	532 19 61-31	21546385	BRACKET PULLEY IDLER
221	532 40 31-87	21546588	RETAINER SPRING CLIP HANDLE
222	879 21 20-10	21546821	WASHER 21/32 X 1-1/4 X 10 GA.
224	532 41 22-98	21547716	CONSOLE TOOLBOX
225	532 40 73-11	21547335	KEEPER BELT TRANS.
226	532 40 71-09	21547332	BRACKET MOUNT TORQUE

**NOTE:** All component dimensions given in U.S. inches  
1 inch = 25.4 mm



**SPARK ARRESTER KIT**

engine-tex\_Kohl-2cyl\_5

**TRACTOR - - MODEL NO. 93605500 (96046002800), PRODUCT NO. 960 46 00-28  
ENGINE**

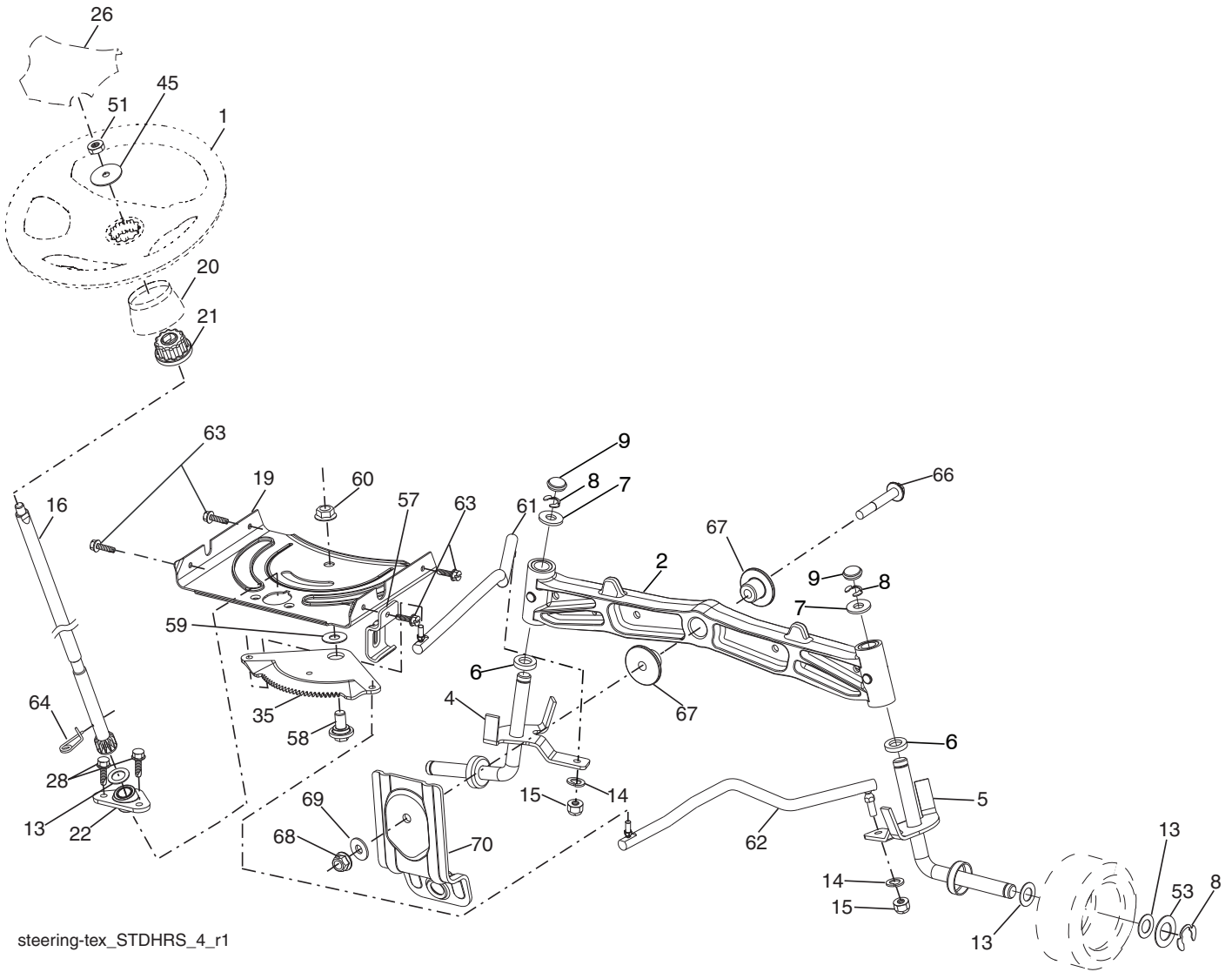
ITEM NO.	MFG. NO.	ARIENS PART NO.	DESCRIPTION
1	-----	-----	ENGINE KOHLER MODEL NO. SV730-3041
2	532 14 97-23	21546118	MUFFLER
9	532 19 43-20	21546327	KEEPER.BELT.ENGINE.4.25"NSTG
11	532 17 93-35	21547305	CLUTCH.ELECTRIC
12	532 19 43-43	21547312	PULLEY.ENGINE
15	532 43 80-81	21547666	TANK.FUEL
18	532 43 02-14	21547353	CAP FUEL
20	532 42 61-84	21547665	CONTROL.THROTTLE
21	532 41 63-58	21546675	SCREW
22	532 19 15-96	21547761	CONTROL.CHOKE
28	532 40 11-35	21546570	LINE.FUEL.64"REAR.EMIS.CA.LP
29	532 13 71-80	21546090	KIT.SPARK ARRESTOR(392390 B&S)
37	532 12 34-87	21546069	CLAMP.HOSE.BLK
41	532 12 61-97	21546077	WASHER 1-1/2 X 15/32 X .250
42	810 04 07-00	21546004	WASHER.LOCK.HVY HLCL.SPR.7/16
45	873 51 04-00	21546779	NUT, KEPS HEX 1/4-20 UNC
62	532 43 40-17	21547370	SHIELD.HEAT.MUFFLER.
69	-----	-----	GASKET MUFFLER (ORDER FROM ENGINE MFGS)
70	532 14 66-99	21546115	EXHAUST TUBE LH
71	532 14 67-00	21546116	EXHAUST TUBE RH
79	532 19 23-34	21546293	SCREW SOCKET HD. 5/16-18 X .75
81	532 14 84-56	21546117	TUBE.DRAIN.OIL.EASY
82	532 42 82-87	21547348	VALVE OIL DRAIN
84	817 12 06-16	21546188	SCREW 3/8-16 X 1
85	532 17 99-53	21547306	BOLT.HEX.7/16-20 X 3.75 X GR. 5
87	532 19 82-39	21547321	BOLT.5/16-18 UNC X 1 W/SEMS.BLK
90	817 00 06-16	21546182	SCREW.3/8-16X1.SMGML.TAP/R.BLK
116	539 13 26-24	21547676	KNOB SHIFT

**NOTE:** All component dimensions given in U.S. inches  
1 inch = 25.4 mm

For engine service and replacement parts, call the toll free number for your engine manufacturer listed below:

Kohler Co. 1-800-544-2444

**TRACTOR - - MODEL NO. 93605500 (96046002800), PRODUCT NO. 960 46 00-28**  
**STEERING ASSEMBLY**



steering-tex\_STDHRS\_4\_r1

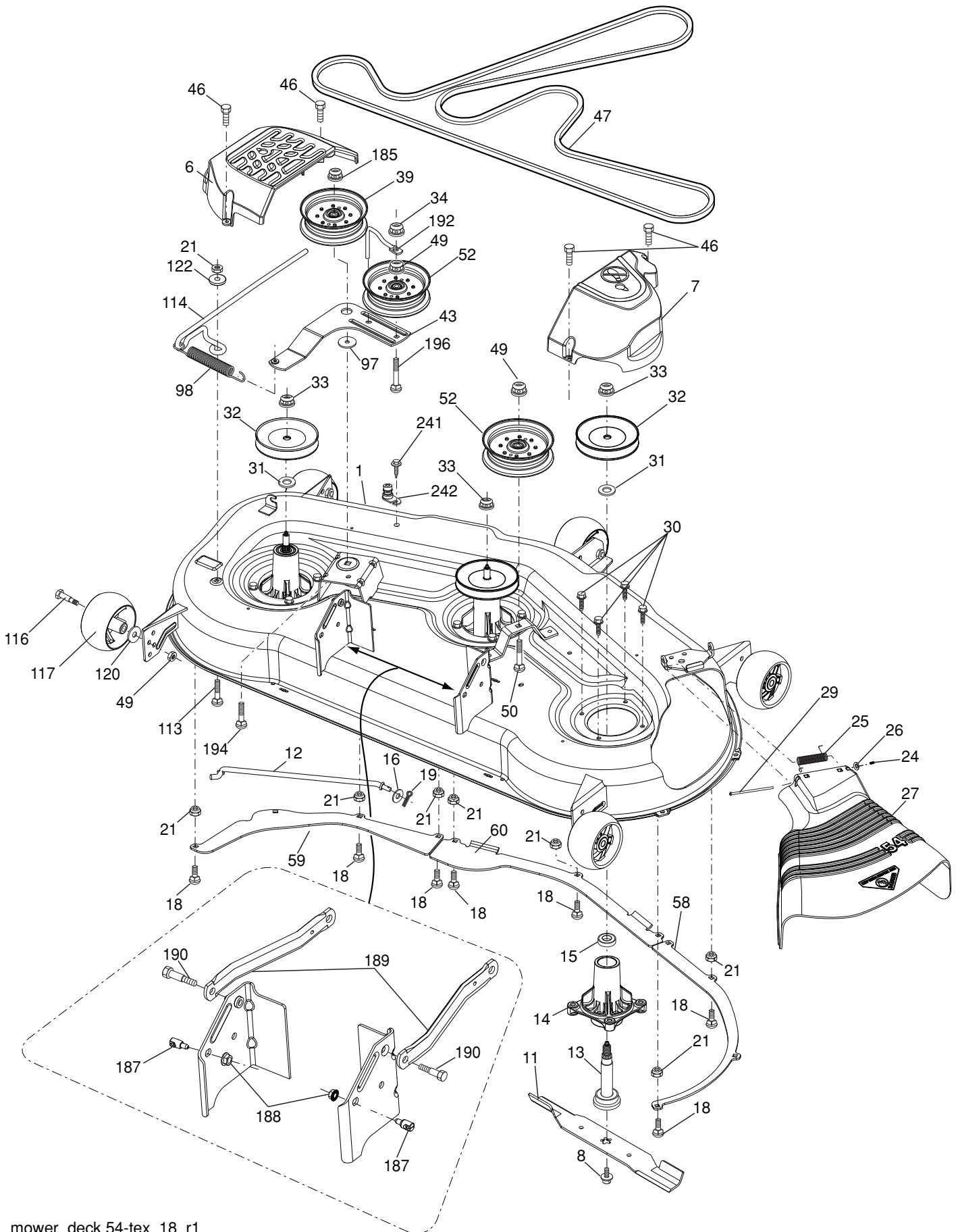
**TRACTOR - - MODEL NO. 93605500 (96046002800), PRODUCT NO. 960 46 00-28  
STEERING ASSEMBLY**

<b>ITEM NO.</b>	<b>MFG. NO.</b>	<b>ARIENS PART NO.</b>	<b>DESCRIPTION</b>
1	532 42 41-46	21547582	WHEEL STEERING
2	532 19 59-68	21546377	AXLE.CAST.IRON
4	532 40 30-89	21547663	SPINDLE.WELDED.LH.15"TEX
5	532 40 30-90	21547664	SPINDLE.WELDED.RH.15"TEX
6	532 12 49-31	21547540	WASHER.THRUST..75 X 1.230
7	532 12 17-48	21546066	WASHER.25/32 X 1-5/8 X 16GA.
8	812 00 00-29	21546053	RING.KLIP.#T5304-75
9	532 12 12-32	21546064	CAP.SPINDLE.FR.TOP.BLK.
13	532 12 17-49	21546067	WASHER.25/32 X 1 1/4 X 16 GA.
14	810 04 06-00	21546003	WASHER, LOCK 3/8
15	873 54 06-00	21546782	NUT.CROWNLOCK.3/8-24
16	532 40 82-19	21546628	SHAFT STEERING
19	532 19 47-29	21546334	PLATE.STEER.DDL.NLT/NGT
20	532 41 14-25	21547710	BOOT.STEERING.
21	532 18 67-37	21546234	ADAPTER.WHEEL.STRG..760
22	532 42 05-37	21547007	STEERING SUPT. LOWER
26	532 42 46-91	21547568	STEERING SUPT.LOWER
28	817 00 06-12	21546181	SCREW.HEXWSH THDR 3/8-16 X 3/4.BL
35	532 19 47-32	21546335	GEAR SECTOR.PLATE.DDL.NLT/NGT
45	819 11 38-12	21546280	WASHER.11/32ID X2 3/8OD X 12GA
51	873 94 08-00	21546795	NUT.HEX.JAM.TOPLOCK.1/2-20 UNF
53	532 18 89-67	21546272	WASHER.HARDEN..793 X 1.637 X 060
57	532 19 72-46	21546418	BRACKET.UPSTOP.TEX
58	532 19 47-47	21546339	BOLT.SHOULDER.SECTOR.PIVOT.CFM
59	532 19 47-48	21546340	WASHER.THRUST.SECTOR.STEER.NLT
60	873 97 10-00	21546797	NUT.FLANGE LOCK.5/8-11
61	532 19 47-40	21546337	DRAGLINK.LH.BALLSTUD.DDL.
62	532 19 47-41	21546338	DRAGLINK.RH.BALLSTUD.DDL
63	817 00 05-12	21546180	SCREW.5/16-18X3/4.SMGML.TAP/BL
64	532 19 98-49	21546512	RETAINER.CLIPSPRING.STEERING
66	871 02 07-48	21546754	BOLT.HEX.FGHD.7/16-14 X 3.SERR
67	532 19 47-37	21546336	BUSHING.PM.FRONT AXLE
68	873 90 07-00	21546791	NUT.LOCK.FLANGE.7/16-14.GR5
69	532 19 91-62	21546483	WASHER.1.5 X .505 X .118
70	532 19 61-97	21546386	BRACKET.DECK.SUSPENSION.FRONT

**NOTE:** All component dimensions given in U.S. inches  
1 inch = 25.4 mm



**TRACTOR - - MODEL NO. 93605500 (96046002800), PRODUCT NO. 960 46 00-28  
MOWER DECK**



mower\_deck 54-tex\_18\_r1

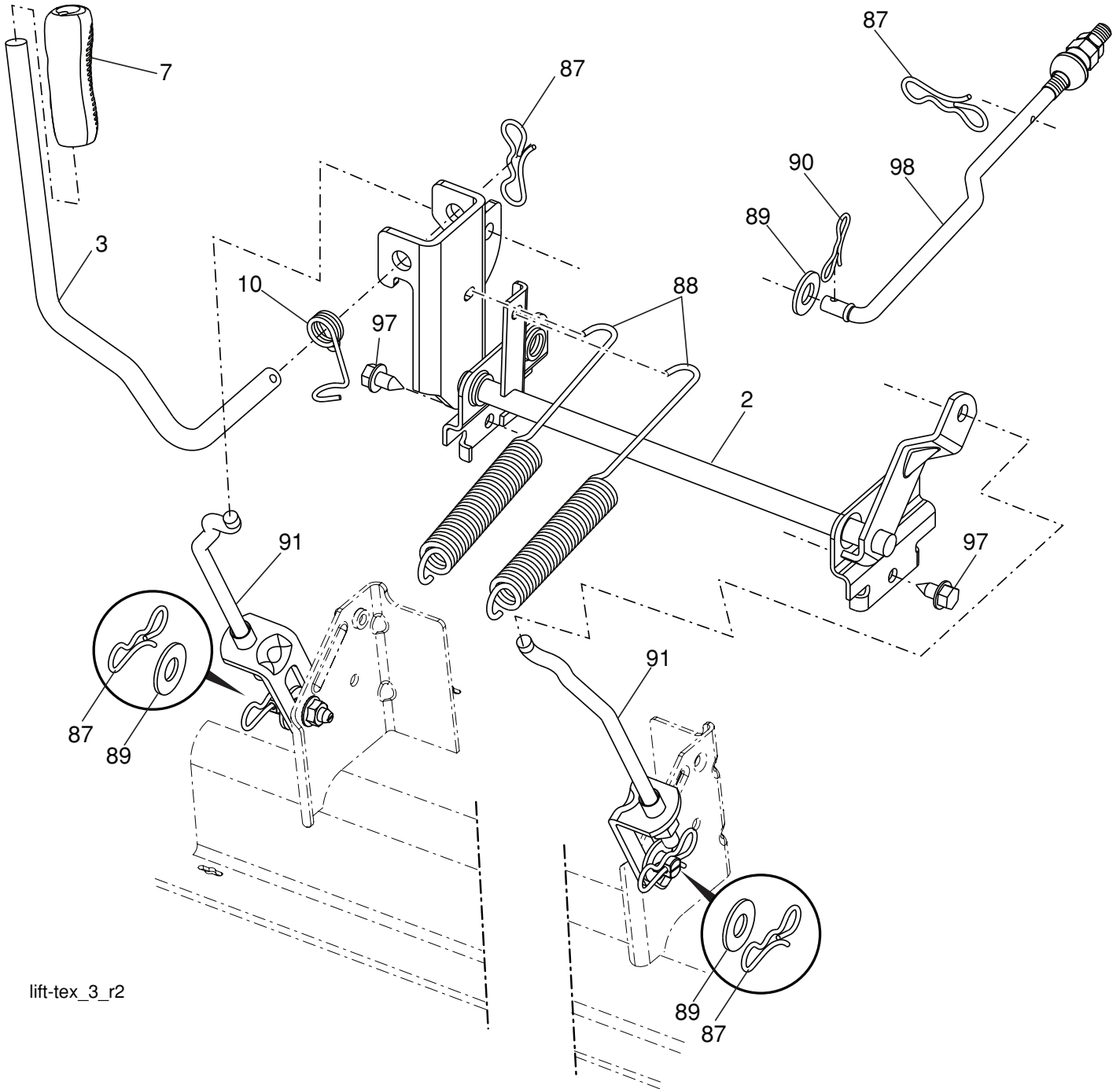
**TRACTOR - - MODEL NO. 93605500 (96046002800), PRODUCT NO. 960 46 00-28  
MOWER DECK**

ITEM NO.	MFG. NO.	ARIENS PART NO.	DESCRIPTION
1	532 44 18-47	21547787	DECK.WELDMENT.54"MS-422
6	532 19 60-66	21546380	COVER MANDREL LH
7	532 19 71-81	21546417	COVER MANDREL RH
8	532 19 30-03	21546301	BOLT 7/16 ASM. BLADE
11	532 18 72-56	21546235	BLADE BAGGING
--	532 18 72-55	21546848	BLADE, 54" MULCHING
12	532 40 03-37	21547325	ROD ANTI-SWAY
13	532 18 72-91	21546239	SHAFT ASM. W/LOWER BEARING
14	532 18 72-81	21546238	HOUSING, MANDREL
15	532 11 04-85	21546046	BEARING, BALL, MANDREL
16	819 13 13-12	21546283	WASHER 13/32 X 13/16 X 12 GA.
18	872 14 05-05	21546770	BOLT CARR. 5/16-18 X 5/8
19	532 19 42-08	21546321	PIN COTTER 5/16 BOW TIE LOCK
21	873 68 05-00	21546784	NUT, CROWNLOCK 5/16-18 UNC
24	532 10 53-04	21546025	CAP SLEEVE
25	532 17 81-02	21546212	SPRING, TORSION
26	532 11 04-52	21546045	NUT, PUSH
27	532 18 89-38	21547760	DEFLECTOR SHIELD
29	532 13 14-91	21546081	ROD, HINGE
30	532 17 39-84	21546192	SCREW, THDROLL WASHER HEAD
31	532 18 76-90	21546253	WASHER, SPACER MOWER VENTED
32	532 15 35-35	21546127	PULLEY, MANDREL
33	532 40 02-34	21546554	NUT, FLG. TOP LOCK
34	873 68 06-00	21546785	NUT CROWNLOCK 3/8-16 UNC
39	532 19 73-80	21546442	PULLEY, IDLER, STATIONARY
43	532 19 60-65	21546378	ARM, IDLER
46	532 13 77-29	21546091	SCREW, THDROLL. 1/4-20 X 5/8
47	532 19 61-03	21546382	V-BELT, MOWER
49	873 90 06-00	21546790	NUT, LOCK FLG. 3/8-16 UNC
50	872 11 06-16	21546767	BOLT RDHD SQNK 3/8-16 UNC X 2
52	532 19 73-79	21546440	PULLEY IDLER 4.50
58	532 18 73-42	21546241	BAFFLE RIGHT
59	532 18 73-44	21546243	BAFFLE LEFT
60	532 18 76-07	21546251	BAFFLE CENTER
97	532 17 85-15	21546214	WASHER HARDENED
98	532 19 61-05	21546383	SPRING DRIVE
113	872 11 05-08	21546762	BOLT RDHD SQNK 5/16-18 X 3/4
114	532 18 75-56	21546248	ROD TENSION RELIEF
116	532 19 34-06	21546320	BOLT, SHOULDER
117	532 17 48-73	21546197	GAUGE WHEEL
120	819 13 20-12	21546286	WASHER 13/32 X 1-1/4 X 12 GA.
122	532 18 75-57	21546250	BUSHING TENSION RELIEF
185	873 90 07-00	21546791	NUT LOCK FLANGE 7/16-14 GR. 5
187	532 19 51-61	21546343	STUD FASTENER W/"D" ANTI-ROTATION
188	873 90 05-00	21546789	NUT LOCK HEX FLANGE 5/16-18
189	532 19 51-85	21546345	ARM SUSP. MOWER REAR
190	532 19 65-39	21546411	BOLT SHOULDER
192	532 19 84-68	21546479	KEEPER BELT IDLER
194	874 49 07-36	21547675	BOLT CARR SQNK 3/8-16 X 2-1/4
196	872 14 06-20	21546772	BOLT RDHD 3/8-16 UNC X 2-3/4 GR. 5
241	532 15 29-27	21547128	SCREW TT #10-32.5 3/8 FLANGE
242	532 41 55-98	21547345	PORT WASHOUT
--	532 41 64-05	21547347	COUPLING QUICK CONNECT
--	532 18 72-92	21546240	MANDREL ASM. SERVICE
--	532 42 39-65	21546866	(INCLUDES KEY NOS. 13-15 AND 33) REPLACEMENT MOWER, COMPLETE

**NOTE:** All component dimensions given in U.S. inches  
1 inch = 25.4 mm



**TRACTOR - - MODEL NO. 93605500 (96046002800), PRODUCT NO. 960 46 00-28  
MOWER LIFT**



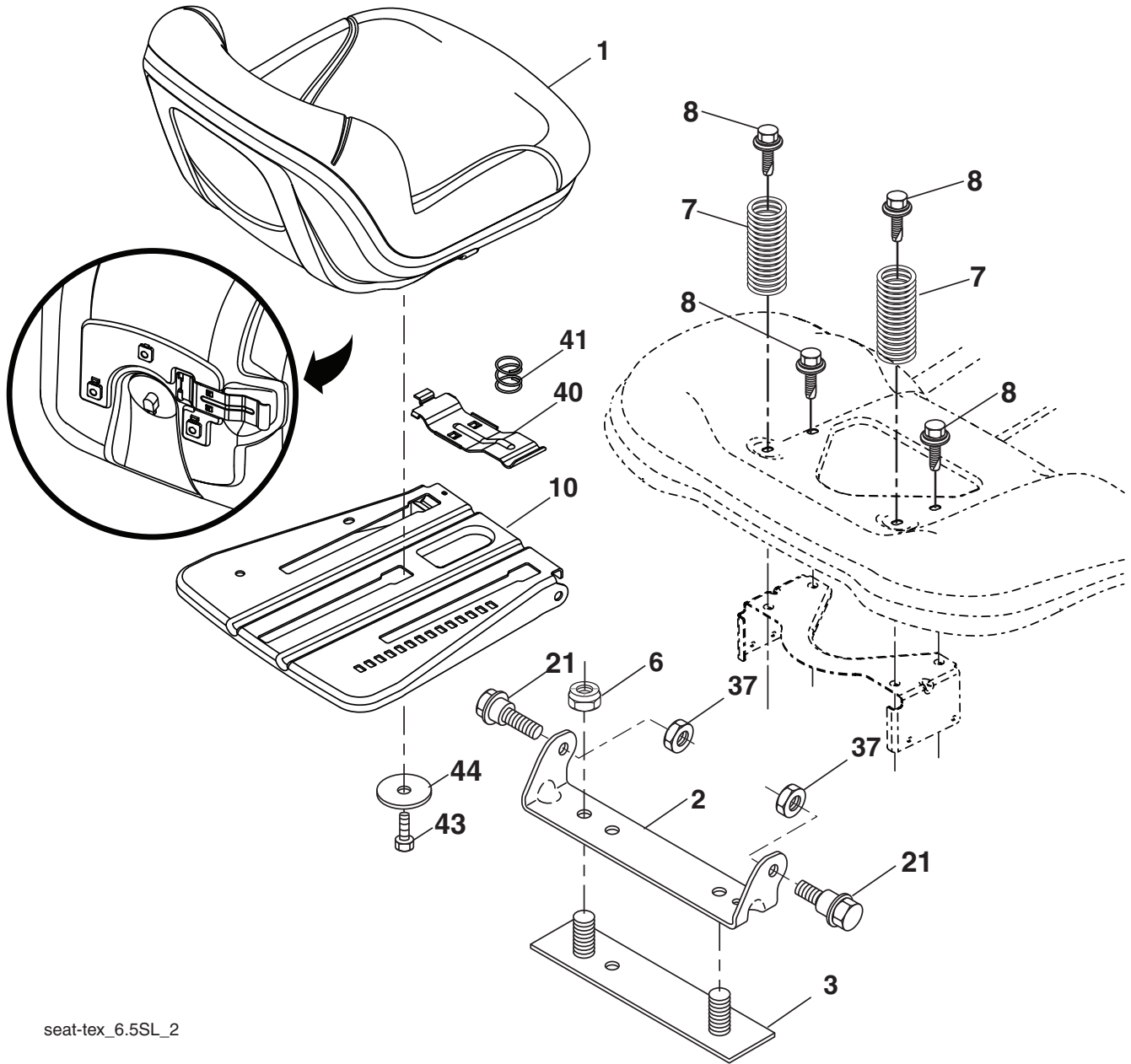
lift-tex\_3\_r2

**TRACTOR - - MODEL NO. 93605500 (96046002800), PRODUCT NO. 960 46 00-28  
MOWER LIFT**

<b>ITEM NO.</b>	<b>MFG. NO.</b>	<b>ARIENS PART NO.</b>	<b>DESCRIPTION</b>
2	532 42 20-27	21547240	SHAFT ASM., LIFT
3	532 19 52-30	21547313	LEVER ASM., LIFT RH
7	532 41 15-55	21547565	GRIPLEVER..5625 ID.BLACK 428
10	532 19 63-14	21546397	SPRING TORSION
87	532 19 42-09	21546322	PIN COTTER 7/16 BOW TIE LOCK
88	532 19 53-04	21547314	SPRING LIFT ASSIST
89	819 19 19-12	21546292	WASHER CLEAR ZINC
90	532 19 42-08	21546321	PIN COTTER 5/16 BOW TIE LOCK
91	532 40 34-07	21546592	LINK LIFT SUSP MOWER REAR
97	817 00 06-12	21546181	SCREW 3/8-16 X .75
98	532 19 52-64	21546359	LINK LIFT SUSP. FRONT MOWER

**NOTE:** All component dimensions given in U.S. inches  
1 inch = 25.4 mm

**TRACTOR - - MODEL NO. 93605500 (96046002800), PRODUCT NO. 960 46 00-28  
SEAT ASSEMBLY**



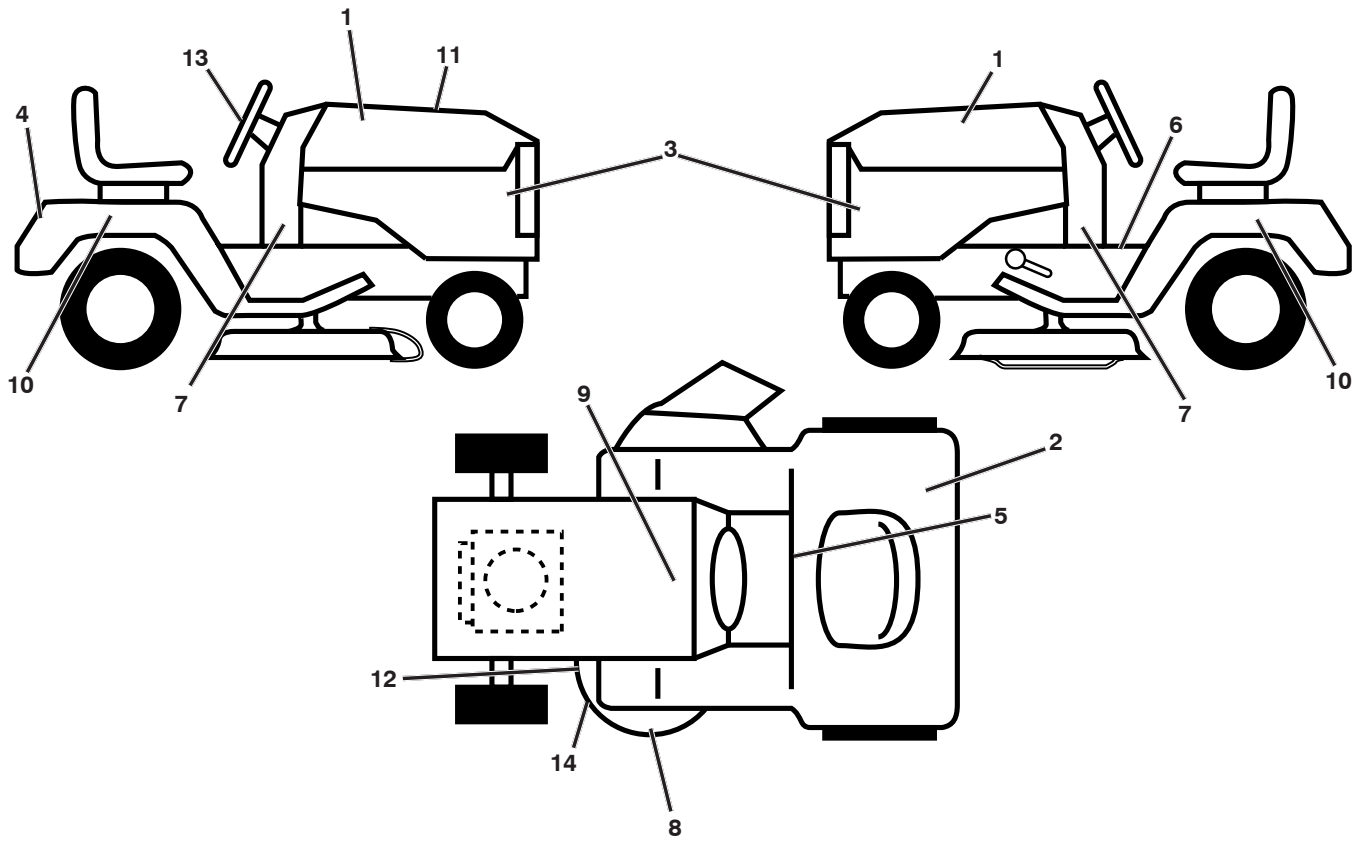
seat-tex\_6.5SL\_2

**TRACTOR - - MODEL NO. 93605500 (96046002800), PRODUCT NO. 960 46 00-28  
SEAT ASSEMBLY**

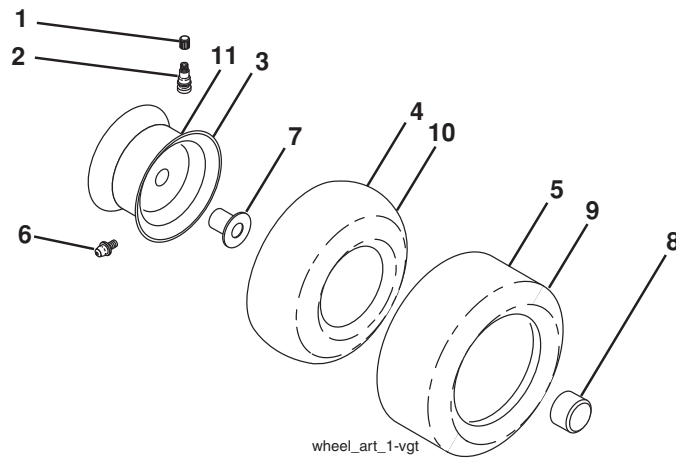
<b>ITEM NO.</b>	<b>MFG. NO.</b>	<b>ARIENS PART NO.</b>	<b>DESCRIPTION</b>
1	532 42 30-10	21546703	SEAT.TA150.KB/SLD.BLK.ARIENS
2	532 18 01-66	21546216	BRACKET.PIVOT.FENDER.2002
3	532 14 06-75	21546101	STRAP ASM.FENDER.94
6	873 80 06-00	21546787	LOCKNUT, WASHER INSERT 3/8-16
7	532 12 41-81	21546074	SPRING.SEAT.CPRSN.2.250.BLK.ZI
8	532 17 18-77	21546190	BOLT.5/16-18 UNC X 3/4 W/SEMS.BLK
10	532 19 69-77	21546414	PAN ASM.SEAT.3PT.
21	532 17 18-52	21546189	BOLT.SHLD.5/16-18 UNC-2A.BLK D
37	873 80 05-00	21546786	LOCKNUT, WASHER INSERT 5/16-18
40	532 19 76-61	21546451	HANDLE.SLIDE.SEAT.TEX.MILSCO
41	532 19 82-00	21546473	SPRING.LATCH.SEAT.TEX
43	874 76 06-12	21546810	BOLT.FIN.HEX.3/8-16 UNC X 3/4
44	819 13 38-12	21546288	WASHER.13/32 X 2 3/8 X 12 GA.

**NOTE:** All component dimensions given in U.S. inches  
1 inch = 25.4 mm

**TRACTOR - - MODEL NO. 93605500 (96046002800), PRODUCT NO. 960 46 00-28  
DECALS**



**WHEELS AND TIRES**



**TRACTOR - - MODEL NO. 93605500 (96046002800), PRODUCT NO. 960 46 00-28  
DECALS**

<b>ITEM NO.</b>	<b>MFG. NO.</b>	<b>ARIENS PART NO.</b>	<b>DESCRIPTION</b>
1	532 44 15-85	21547674	DECAL.HOOD.RH.PRECISION.ARIENS
2	532 43 13-75	21547253	DECAL FENDER SERVICE
3	532 43 91-28	21547669	DECAL.SDPNL.PWRDBY KOHL.ARIENS
4	532 43 91-24	21547668	DECAL.FENDER.REAR.ARIENS
5	532 42 28-16	21546695	DECAL.FLAG
6	532 41 91-38	21547245	DECAL.FENDER.WARNING.ENG/FR.07
7	532 44 10-96	21547671	DECAL.DASH.LOWER.
8	532 17 84-55	21546213	DECAL.MOWER.WARN.KEEP HAND AWY
9	532 14 50-05	21546109	DECAL.BAT.DAN/POI P/L SYM.WPN
10	532 43 93-42	21547670	DECAL.FENDER.SIDE.HYDRO.ARIENS
11	532 43 45-98	21547374	DECAL, REPLACEMENT
12	532 17 05-63	21546186	DECAL.MOWER.WARN.KEEP HAND AWY
13	532 43 91-23	21547667	DECAL.WHEEL.STEER.ARIENS
14	532 19 87-85	21546145	DECAL.MOWER.SCH.
--	532 16 69-60	21546177	DECAL.BYPASS.FENDER.CRD/LT/YT
--	532 41 19-03	21547780	PAD.FOOTREST.LH.BLACK.428
--	532 41 22-79	21547715	PAD FOOTREST RH
--	532 44 11-04	21547672	MANUAL, OPERATOR'S (ENGLISH/SPANISH)
--	532 44 11-06	21547673	MANUAL, PARTS (ENGLISH)

**NOTE:** All component dimensions given in U.S. inches  
1 inch = 25.4 mm

<b>ITEM NO.</b>	<b>MFG. NO.</b>	<b>ARIENS PART NO.</b>	<b>DESCRIPTION</b>
1	532 05 91-92	21546747	CAP, VALVE, TIRE
2	532 06 51-39	21546751	STEM, VALVE
3	532 18 18-39	21547698	RIM ASSEMBLY, FRONT
4	532 00 81-34	21547405	TUBE, FRONT
5	532 16 10-24	21547659	TIRE, FRONT
6	532 12 49-57	21547725	FITTING, GREASE
7	532 12 49-59	21547542	BEARING, FLANGE
8	532 17 50-39	21547547	CAP.HUB.AXLE.W.GRY.1.50 X 1.00
9	532 18 25-26	21547660	TIRE, R. TS. 23 X 10.5-12
10	532 00 71-54	21547689	TUBE, REAR
11	532 14 45-10	21547694	RIM ASSEMBLY, REAR
--	532 14 43-34	21546845	SEALANT, TIRE (10 OZ. TUBE)

**NOTE:** All component dimensions given in U.S. inches  
1 inch = 25.4 mm

---

# SERVICE NOTES

---

---

# SERVICE NOTES

---





Ariens Company  
 655 West Ryan Street  
 Brillion, WI 54110-1072  
 1-877-257-6920  
 www.ariens.com

## PARTS AND SERVICE

This product has been expertly engineered and carefully manufactured to rigid quality standards. As with all mechanical products, some adjustments or part replacement may be necessary during the life of your unit.

For parts and service, contact your local Ariens dealer. To find a dealer in your area, call 1-877-257-6920, or use the Dealer Locator on our web site, [www.ariens.com](http://www.ariens.com).

- For replacement parts, have available the following information:
  - a. Model Number/Manufacturer's I.D. Number.
  - b. Description of part.

For Technical Assistance: call 1-877-257-6920.

For a Parts Manual, go to our website: [www.ariens.com/corporate/Pages/customerservice.aspx](http://www.ariens.com/corporate/Pages/customerservice.aspx)

**MODEL NUMBER** \_\_\_\_\_

**SERIAL NUMBER** \_\_\_\_\_

**DATE OF PURCHASE** \_\_\_\_\_

**THE MODEL AND SERIAL NUMBERS WILL BE FOUND ON A DECAL ATTACHED TO THE FENDER UNDER THE SEAT OF YOUR TRACTOR.**

**YOU SHOULD RECORD BOTH SERIAL NUMBER AND DATE OF PURCHASE AND KEEP IN A SAFE PLACE FOR FUTURE REFERENCE.**

**Ariens**

PRODUCT	MAINTENANCE LEVEL	SERIAL
960460028	00	120108A001234
MODEL		
MODEL		
<b>936055</b>		
<b>54" Precision Hydro Tractor</b>		

FOR SERVICE CALL 1-877-257-6920      CONFORMS TO ANSI B71.1-2003 SAFETY STANDARDS  
 ASSEMBLED IN U.S.A.      424354  
 ORANGEBURG, SC 29116

**MODEL NUMBER** (callout to 936055)

**SERIAL NUMBER** (callout to 120108A001234)